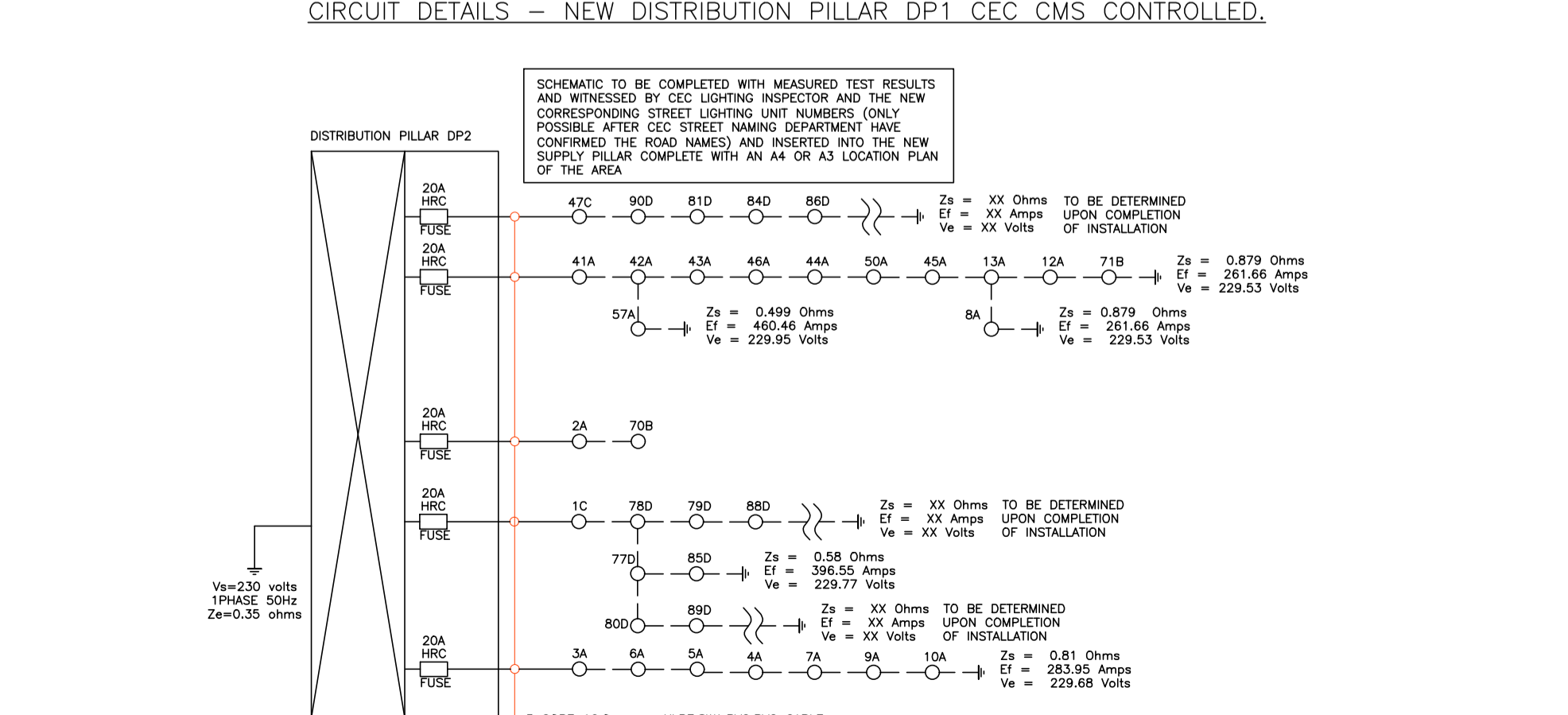
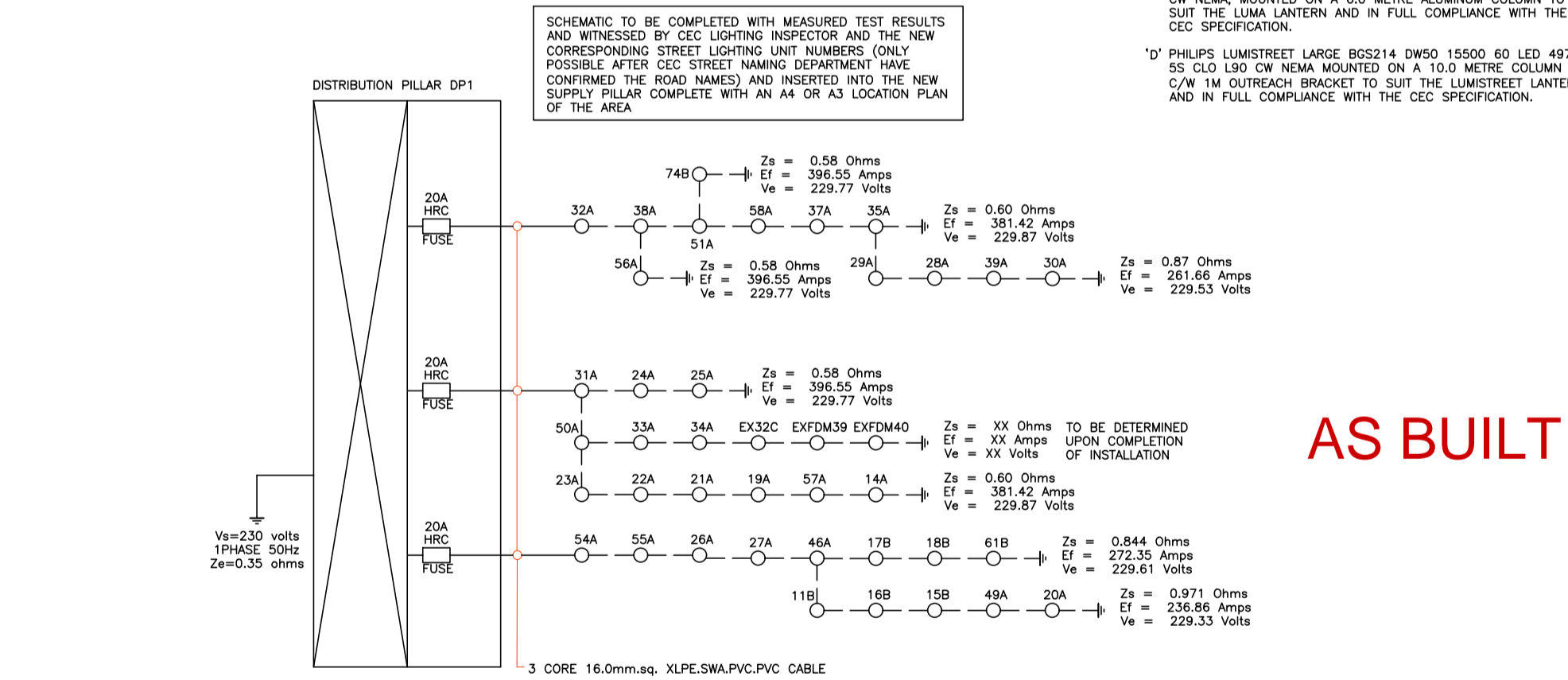
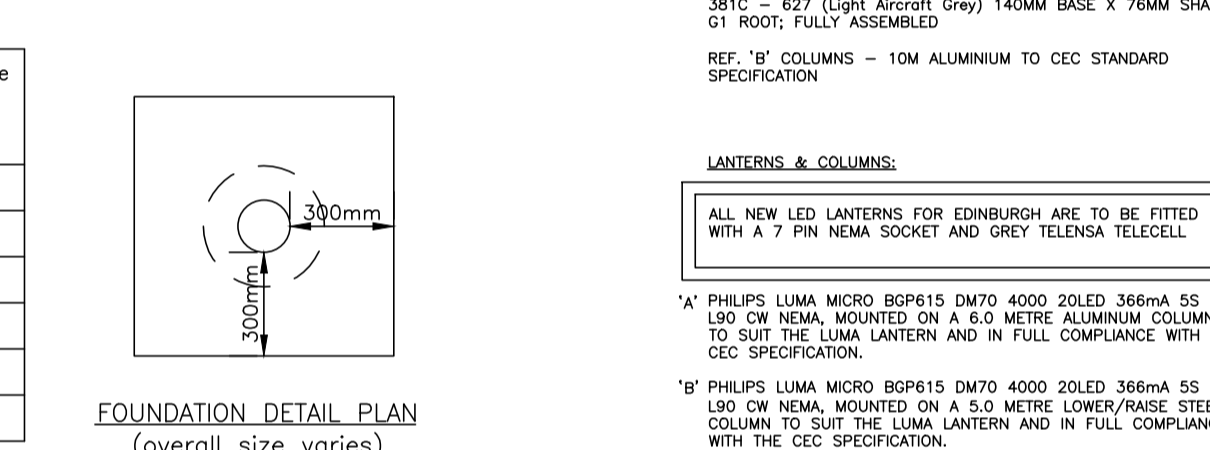
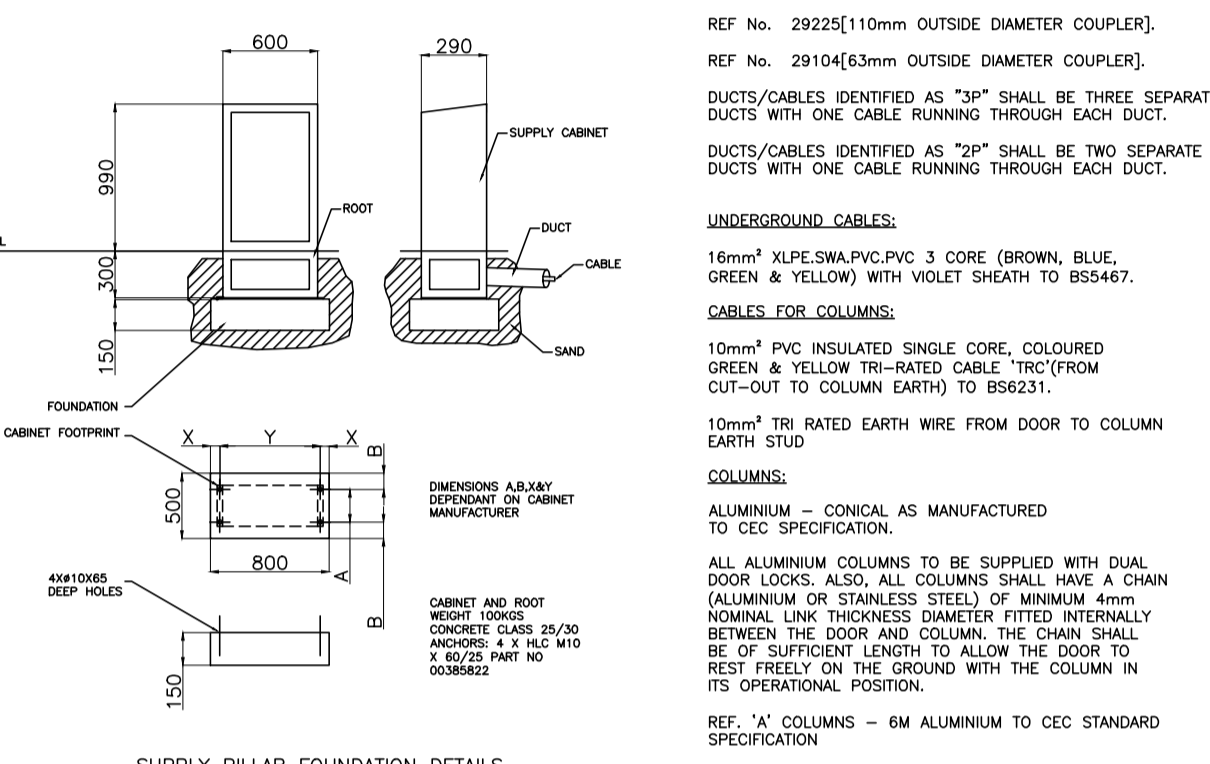


Column size	'a' planting depth	Column base outside Ø (nominal)	Concrete surround Ø	'b' concrete surround minimum thickness
metres	mm	mm	mm	mm
5	800	145	350	102.5
6	1000	145	350	102.5
6 (R&L)	1000	145	370	112.5
8	1200	190	370	90.0
10	1500	202	410	104



**NOTES**

**HAZARDS AND RISKS WARNING**

- THE CONTRACTOR SHALL TAKE DUE CARE AND PRECAUTION WHEN WORKING WITH 'LIVE' GAS, ELECTRIC AND WATER SERVICES.
- THE CONTRACTOR SHALL TAKE DUE CARE AND PRECAUTION WHEN WORKING AT HEIGHTS.
- THE CONTRACTOR SHALL, WHERE NECESSARY, ELECTRICALLY ISOLATE EQUIPMENT AS PER CURRENT ELECTRICAL REGULATIONS AND PROVIDE THE NECESSARY SAFETY NOTICES.
- THE CONTRACTOR SHALL TAKE DUE CARE AND PRECAUTION WHEN MAN-HANDLING HEAVY ITEMS OF PLANT AND EQUIPMENT INTO POSITION.
- THE CONTRACTOR SHALL TAKE DUE CARE AND PRECAUTION WHEN CONSTRUCTION AND WORKING IN TRENCHES. THIS SHALL ALL BE IN ACCORDANCE WITH THE LATEST HSE GUIDELINES.

**1. THE STREET LIGHTING INSTALLATION SHALL BE CARRIED OUT IN FULL COMPLIANCE WITH THE CITY OF EDENBURGH COUNCIL'S STANDARDS FOR DEVELOPMENT DOCUMENT, AS ADDED TO OR AMENDED BY THE INFORMATION PROVIDED AND THE 17th EDITION OF THE IEE WIRING REGULATIONS, BS 7671 AND THE REGULATIONS Laid Down BY THE STATUTORY AUTHORITIES. ALL SPECIFICATIONS SHALL BE CURRENT EDITIONS AT DATE OF COMMENCEMENT OF THE STREET LIGHTING INSTALLATION.**

**2. ALL ITEMS OF EQUIPMENT COMPRISING THE STREET LIGHTING INSTALLATION SHALL BE PROTECTED TO IP65, MINIMUM RATING.**

**3. ALL COLUMNS AND LANTERNS HAVE BEEN INDIVIDUALLY IDENTIFIED PURELY FOR THE PURPOSES OF THIS DRAWING. THE ACTUAL COLUMN/LANTERN NUMBERING FOR THE ADOPTED LUMINAIR SHALL BE ALLOCATED BY THE CITY OF EDENBURGH COUNCIL.**

**4. ALL STREET LIGHTING CABLEING 3 CORE SHALL BE 16mm<sup>2</sup> XLPE-SWA-PVC-PVC AND SHALL HAVE A PURPLE COLOURED OUTER SHEATH.**

**5. ALL STREET LIGHTING CABLEING SHALL BE RUN UNDERGROUND 100mm<sup>2</sup> CORRUGATED PVC DUCTING, PURPLE IN COLOUR.**

**6. ALL UNDERGROUND CABLE DUCTS SHALL BE RUN IN THE ADAPTABLE STREET STOP FORMING PART OF THE CARRIAGEWAY OR VERGES AT A DEPTH OF 600mm. ALL ROAD CROSSINGS CABLE DUCTS SHALL BE INSTALLED AT A DEPTH OF 900mm. SEE CITY OF EDENBURGH COUNCIL'S SPECIFICATION FOR DETAILS.**

**7. WHERE SPECIFIED TRAFFIC SIGNS, WHERE SPECIFIED, SHALL GENERALLY BE INSTALLED AT THE HEEL OF THE FOOTWAY. HOWEVER, FINAL POSITIONS SHALL BE AGREED ON SITE WITH THE CITY OF EDENBURGH COUNCIL'S TRAFFIC ENGINEER PRIOR TO INSTALLATION.**

**8. WHERE SPECIFIED ALL COLUMN SUPPORTING ROAD SIGNS SHALL HAVE BROW BASES TO ACCOMMODATE THE REQUISITE FUSED CUT-OUT. THE SOURCE SUPPLY COLUMN SHALL ALSO BE SUB-FUSED.**

**9. WHERE SPECIFIED ALL COLUMN SUPPORTING ROAD SIGNS SHALL HAVE BROW BASES TO ACCOMMODATE THE REQUISITE FUSED CUT-OUT. THE SOURCE SUPPLY COLUMN SHALL ALSO BE SUB-FUSED.**

**10. WHERE SPECIFIED ALL TRAFFIC CALMING SIGNS SHALL BE ILLUMINATED.**

**11. THE CONTRACTOR SHOULD NOTE THAT ALL CARRIAGEWAY CROSSINGS SHALL BE INSTALLED SO AS TO AVOID PROPERTY ACCESS, DRIVEWAYS AND TRAFFIC CALMING FEATURES.**

**12. ALL LIGHTING COLUMNS AND DUCT POSITIONS ETC. SHALL BE AGREED ON SITE WITH THE CITY OF EDENBURGH COUNCIL'S ROAD LIGHTING ENGINEER.**

**13. GENERALLY CABLE ENDS IN COLUMNS SHALL BE TERMINATED IN CUT-OUT TO BS 7674 OR TOF02 ZA TYPE 1 CEC FITTED WITH A 6A FUSE TO BS88 UNLESS OTHERWISE STATED.**

**14. WHERE CABLE IS TO BE TERMINATED, THE EARTH CONDUCTOR AND THE CABLES SHG SHALL BE LINKED WITH A 10mm<sup>2</sup> TRB-RATED EARTH CONTINUITY CONDUCTOR TO BS8231.**

**15. STREET LIGHTING MARKER SHALL BE INSTALLED 200mm ABOVE CABLE DUCTS.**

**16. CONTRACTOR TO INSTALL NEW STREET LIGHTING UNIT NUMBERS ON ALL NEW LIGHTING ASSETS (ONLY POSSIBLE AFTER CEC STREET NAMING DEPARTMENT HAVE CONFIRMED THE ROAD NAMES) AND TO COMPLY WITH STANDARD DRAWING CEC13/01/21 AND INSTALLED AS PER STANDARD DRAWING CEC13/01/06. NOTE: CEC STREET LIGHTING DEPARTMENT WILL ISSUE THE CORRECT UNIT REFERENCE ONCE REQUESTED AT STREETLIGHTING@EDENBURGH.CO.UK**

**17. TELNISA BAR CODES TO BE INSTALLED ON THE TELNISA TELECALL, THE CUT-OUT AND THE DRAWING NEXT TO THE CORRESPONDING COLUMN.**

**LEGEND**

- POSITION OF EXISTING LIGHTING EQUIPMENT TO BE REMOVED.
- POSITION OF EXISTING LIGHTING EQUIPMENT TO REMAIN.
- LED POST MOUNTED LANTERN ON 6.0METRE ALUMINIUM COLUMN.
- LED POST MOUNTED LANTERN ON 5.0METRE LOWER/RAISE ALUMINIUM COLUMN.
- LED BRACKET MOUNTED LANTERN ON 10.0METRE ALUMINIUM COLUMN C/W 1M OUTREACH BRACKET.
- EARTH ELECTRODE.
- PROPOSED NEW ROAD CROSSING.
- PROPOSED ROUTE OF 3 CORE 16mm<sup>2</sup> XLPE-SWA-PVC CABLE IN TWIN WALL DUCTS.
- DP1 PROPOSED NEW DISTRIBUTION PILLAR.
- PROPOSED ROUTE OF 3 CORE 16mm<sup>2</sup> XLPE-SWA-PVC CABLE IN TWIN WALL DUCTS. (LINK CABLE/DUCT)

**AS BUILT**

**REVISIONS**

Rev	Description	Date
G	COLUMNS 750 RED R&L AND 800 RED R&L ADDED	07/01/19
F	1200R ROAD/VEH COMMENTS	07/01/19
E	750 ADDED LANTERN REF 'C' ADDED	07/01/19
D	MAIN JUNCTION ALTERATIONS ADDED.	08/01/19
C	NEW ARCHITECTS LAYOUT SERVICE ROUTES ADDED TO SUIT CEC COMMENTS	08/01/19
B	REVISED TO SUIT CEC COMMENTS	08/01/19
A	REVISED TO SUIT CEC COMMENTS	03/09/19

**DAVID R. MURRAY AND ASSOCIATES**

**DRM Consulting Engineers**

1075 Old Road, Edinburgh EH12 5AT  
Tel: 0131 254 0900, Fax: 0131 254 0904  
E-Mail: david@murrayandassociates.co.uk

10 Fern Place, Edinburgh EH3 5EP  
Tel: 011 556 5155, Fax: 011 556 6142  
E-Mail: david@murrayandassociates.co.uk

21 Viewfield Terrace, Dumfries EH12 7JZ  
Tel: 0131 257575, Fax: 0131 257576  
E-Mail: david@murrayandassociates.co.uk

**Client**  
BARRATT HOMES EAST

**Project**  
PROPOSED DEVELOPMENT AT BAILEYFIELD SOUTH

**Title**  
PROPOSED ADOPTED STREET LIGHTING

Scale: 1:500

Drawn: JW Date: 05/08/2017 Drawing No: D1259/9001 Rev: G

Chkd: JW Date: 01/01/2018

Appd: JW Date: 01/01/2018

**DO NOT SCALE - IF IN DOUBT - ASK**